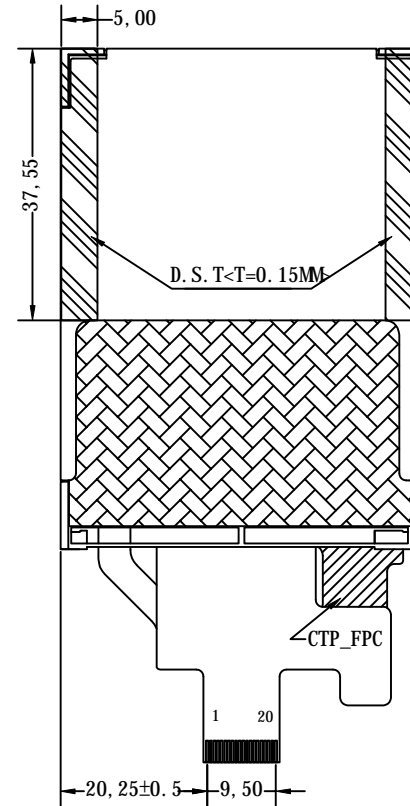
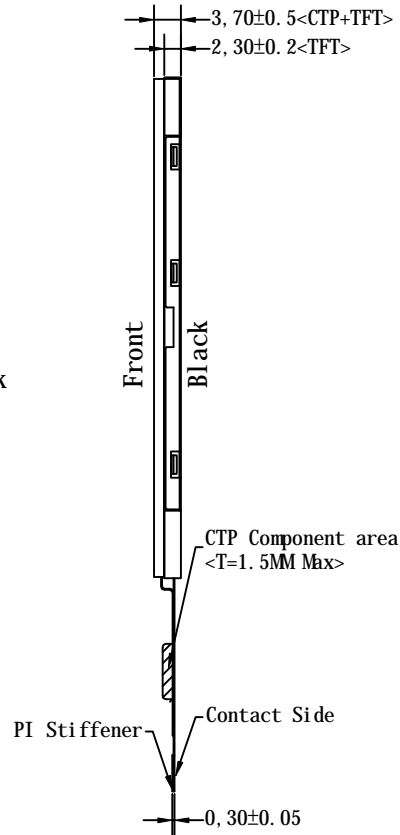
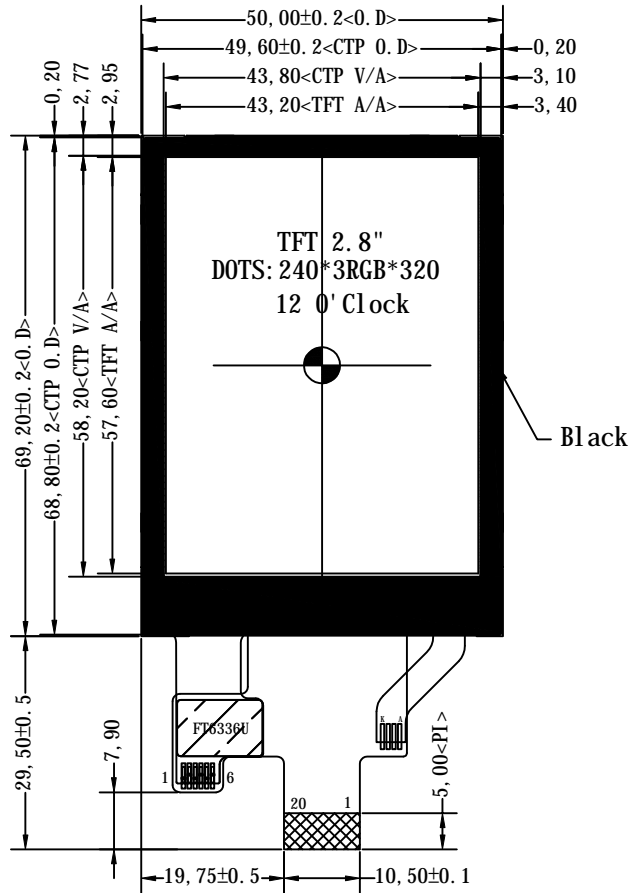


*** Do not display the fixed pattern for a long time when using a normally black panel, as it may cause image sticking due to the LCM structure. If the screen is displayed in fixed mode, use a screen saver. It is recommended to display the fixed mode in less than 2 minutes or less.

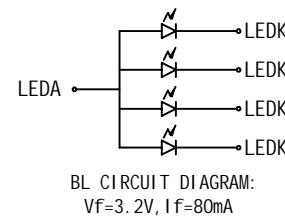


* CTP parameters

1. Driver IC: FT6336U
2. Driving voltage: VCC=2.8V
3. Application method: 2 points
4. Surface hardness: 6H
5. Operating Temp: -20° C-70° C (20%-90%RH)
6. Storage Temp: -30° C-80° C (20%-90%RH)

PIN NO.	SIGNAL	PIN NO.	SIGNAL
1	LEDA		
2	LEDK		
3	GND		
4	VCI		
5	IOVCC		
6	RESX		
7	GND		
8	DCKP		
9	DCKN		
10	GND		
11	DOP		
12	DON		
13	GND		
14	TE		
15	CTP_VCC		
16	GND		
17	CTP_SCL		
18	CTP_SDA		
19	CTP_INT		
20	CTP_RST		

*1. LCD Display Type	TFT, Transmissive, Normally White		
*2. Viewing Direction	12 O'Clock (U50/D20/L45/R45)	*6. Storage Temp	-30° C-80° C
*3. Interface	MIPI 1L (Video Mode)	*7. Driver IC	JD9852 (TFT), FT6336U (CTP)
*4. Operating Voltage	VCI=2.8V, IOVCC=1.8V, CTP_VCC=3.3 (Typ)	*8. Backlight	WHITE Vf=3.2V If=80mA (Typ)
*5. Operating Temp	-20° C-70° C	*9. LCM Brightness	300 cd/m ² (Typ)



Dwg Title: TFT-H028A4QVTST3C20			
Scale: 1:1	Unit: MM	Tol: ±0.3	
Ver: V0	Drawn: Li u. YL	Date: 2019-12-05	