

# 液晶模组规格书

## LCM Specification

初定规格 Preliminary specification

正式规格 Official specifications

项目编号 Project No.	TFT-H043B15WVIST4N45 TFT-H043B15WVIST3R45 TFT-H043B15WVIST3C45
产品描述 Product Description	TFT LCD Module 480 x 3RGB x 800 Dots 4.3 " TFT LCD

客户确认签章：  
Signature by customer:

小批量试产 Trial production    大批量生产 Mass production

鑫洪泰科技（广东）有限公司

深圳市鑫洪泰电子科技有限公司

广东省深圳市龙岗区龙岗天安数码城 3 栋 B 座 1202-G

广东省东莞市凤岗镇东深公路 208 号天安数码城 N3 栋 3 楼

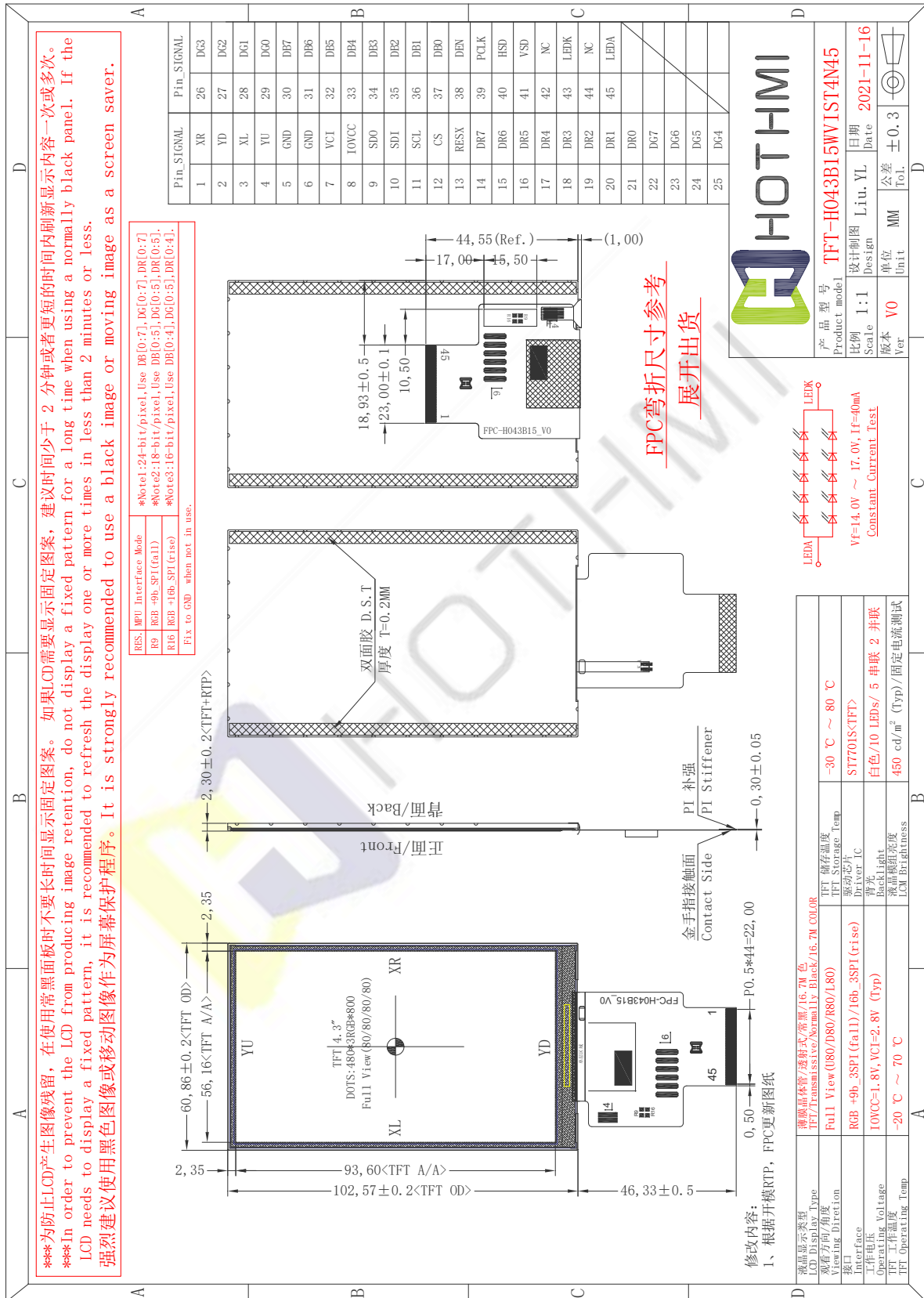
## 文档修订记录 Document revision history :

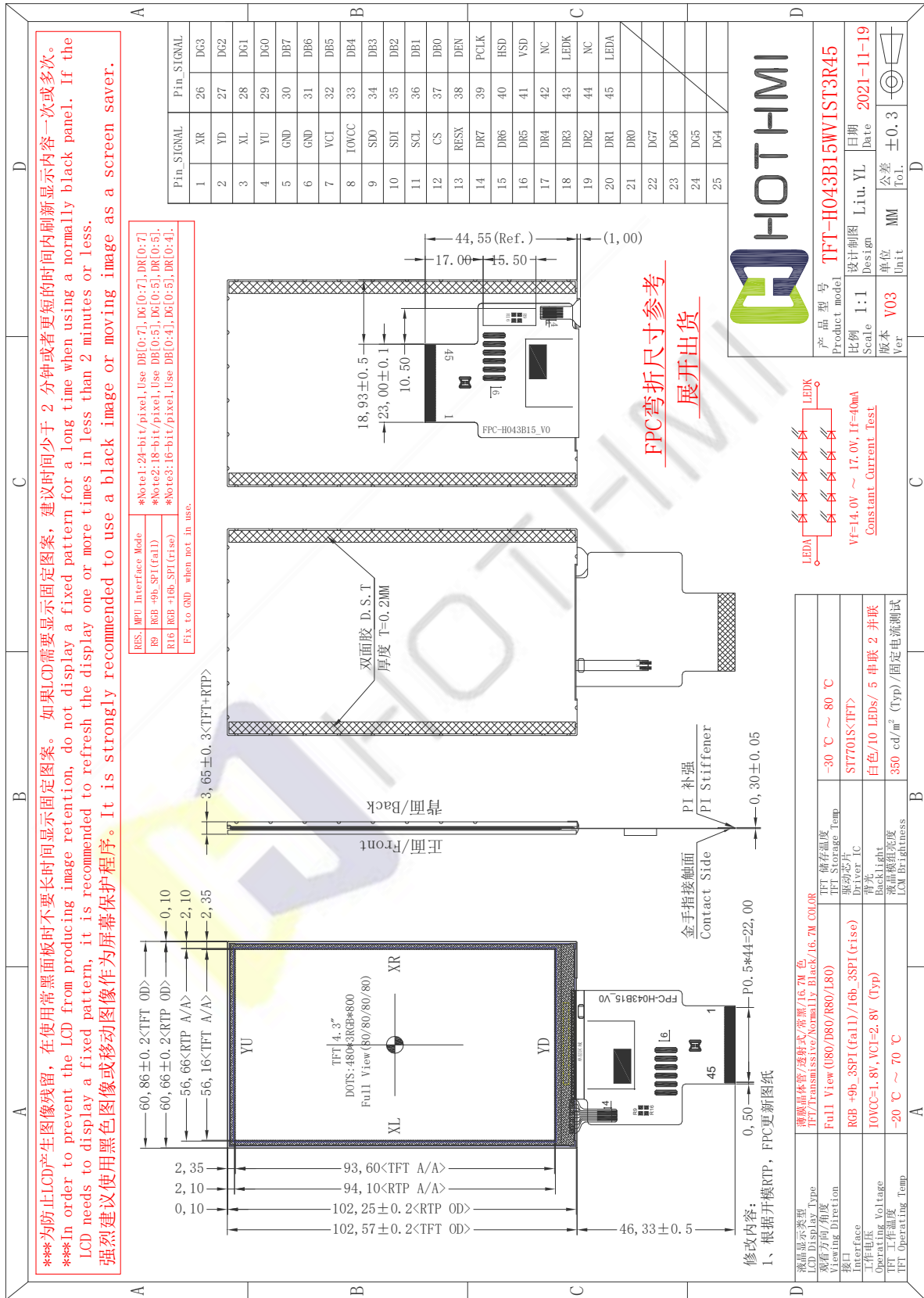
版本 Version	日期 DATE	修改说明 Modify description	编制 PREPARED BY
00	2022-01-07	初次编制 First compilation.	Liu.YL

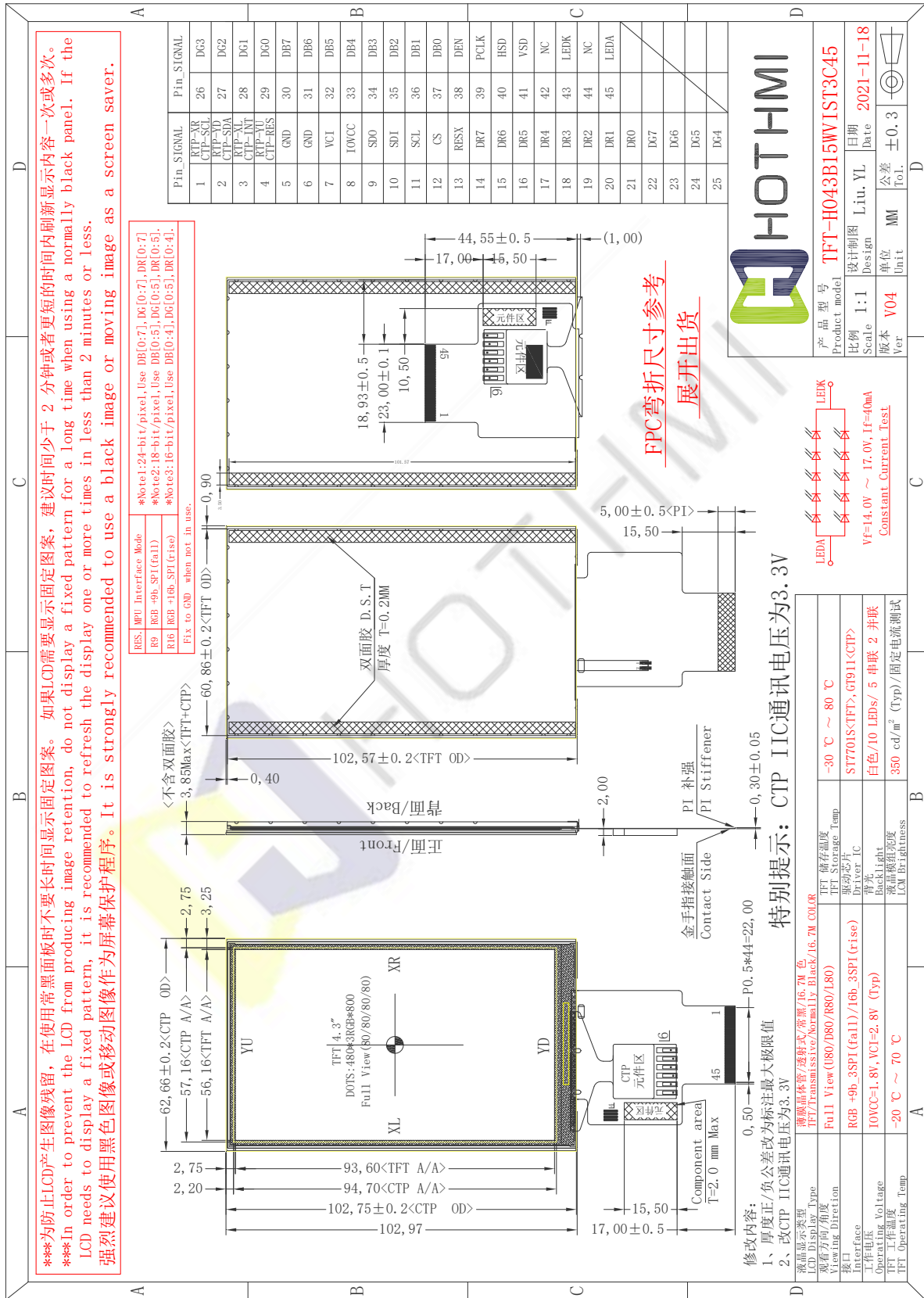
## 一、基本特征 General Feature:

项目 Item	标准值 Standard Value	单位 Unit
显示尺寸 Display Size	4.3"	-
分辨率 Number of Pixels	480 (H) * 3(RGB) * 800 (V)	-
显示区域 Active Area	56.16 (H) * 93.60 (V)	mm
外形尺寸 Outline Dimension	60.86 (H) * 102.57 (V) * 2.30 (D) <TFT> 60.86 (H) * 102.57 (V) * 3.65 (D) <TFT+RTP> 60.86 (H) * 102.57 (V) * 3.85 (D) <TFT+CTP>	mm
观看方向 Viewing Direction	全 视角 FULL 0'clock	-
TFT 端口 TFT Interface	RGB 16/18/24bit+9b_3SPI (fall) (Default) RGB 16/18/24bit+16b_3SPI (rise)	-
TFT 驱动芯片 TFT Driver IC	ST7701S	-
TFT 驱动电压 TFT Driver Condition	VCI=2.8V, IOVCC=1.8V (Typ)	V
背光 Backlight	白色 LED/10 颗/5 串联 2 并联 White LED/10 PCS/5 series 2 parallel	-
触摸屏 Touch Panel	<input checked="" type="checkbox"/> 不带触摸屏 <input checked="" type="checkbox"/> 带电阻触摸屏 <input checked="" type="checkbox"/> 带电容触摸屏 Whitout TP            Whit RTP            Whit CTP	-
电容触摸屏驱动芯片 CTP Driver IC	GT911	-
电容触摸屏驱动电压 CTP Driver Condition	VDD=3.3V (Typ)	V
TFT 液晶工作温度 Operation Temperature	-20 ~ 70	°C
TFT 液晶储存温度 Storage Temperature	-30 ~ 80	°C

## 二、外形尺寸 Outline Dimensions







### 三、引脚说明 Pin Description

#### 3.1. 模组引脚说明 TFT Pin Description

引脚编号 Pin NO.	标号Symbol	详细描述 Description
1	RTP-XR/CTP-SCL	Touch control pin
2	RTP-YD/CTP-SDA	Touch control pin
3	RTP-XL/CTP-INT	Touch control pin
4	RTP-YU/CTP-RES	Touch control pin
5~6	GND	Ground
7	VCI	Digital Power
8	IOVCC	Power Supply for I/O System
9	SDO	Serial data output pin used for the SPI Interface.
10	SDI	Serial data input/output bidirectional pin for SPI Interface.
11	SCL	Serial clock input for SPI interface.
12	CS	A chip select signal
13	RESX	TFT Reset Pin
14~21	DR[7~0]	Red data bus
22~29	DG[7~0]	Green data bus
30~37	DB[7~0]	Blue data bus
38	DEN	Data input enable. Low: access enabled; High: access inhibited
39	PCLK	Pixel clock input pin
40	HSD	Horizontal sync signal
41	VSD	Vertical sync signal
42	NC	No Connect
43	LEDK	LED Cathode
44	NC	No Connect
45	LEDA	LED Anode

注释 1: 9b\_SPI(fall)与 16b\_SPI(rise) 由 FPC 上电阻 R9/R16 决定. 当电阻在 R9 时选择 9b\_SPI(fall), 当电阻在 R16 时选择 16b\_SPI(rise)

Note1: 9b\_SPI(fall)/16b\_SPI(rise) is determined by resistor R9/R16 on FPC. When the resistor is in R9, select 9b\_SPI(fall), When the resistor is in R16, select 16b\_SPI(rise)

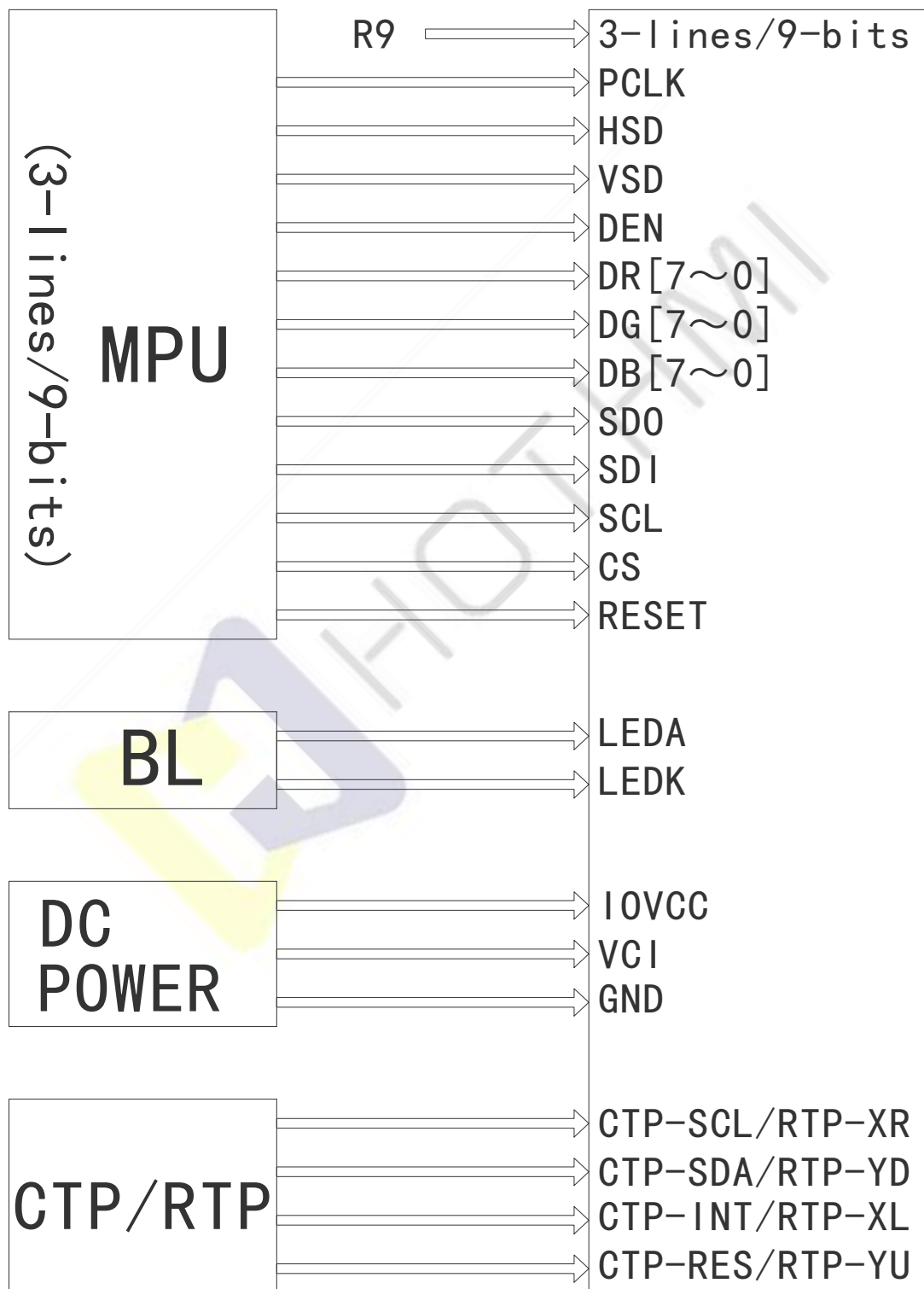
注释 2: RGB 接口的 24 位并行数据总线, 将不使用的固定为 GND 电平

Note2: 24-bit parallel data bus of RGB interface, fixed to GND level when not used.

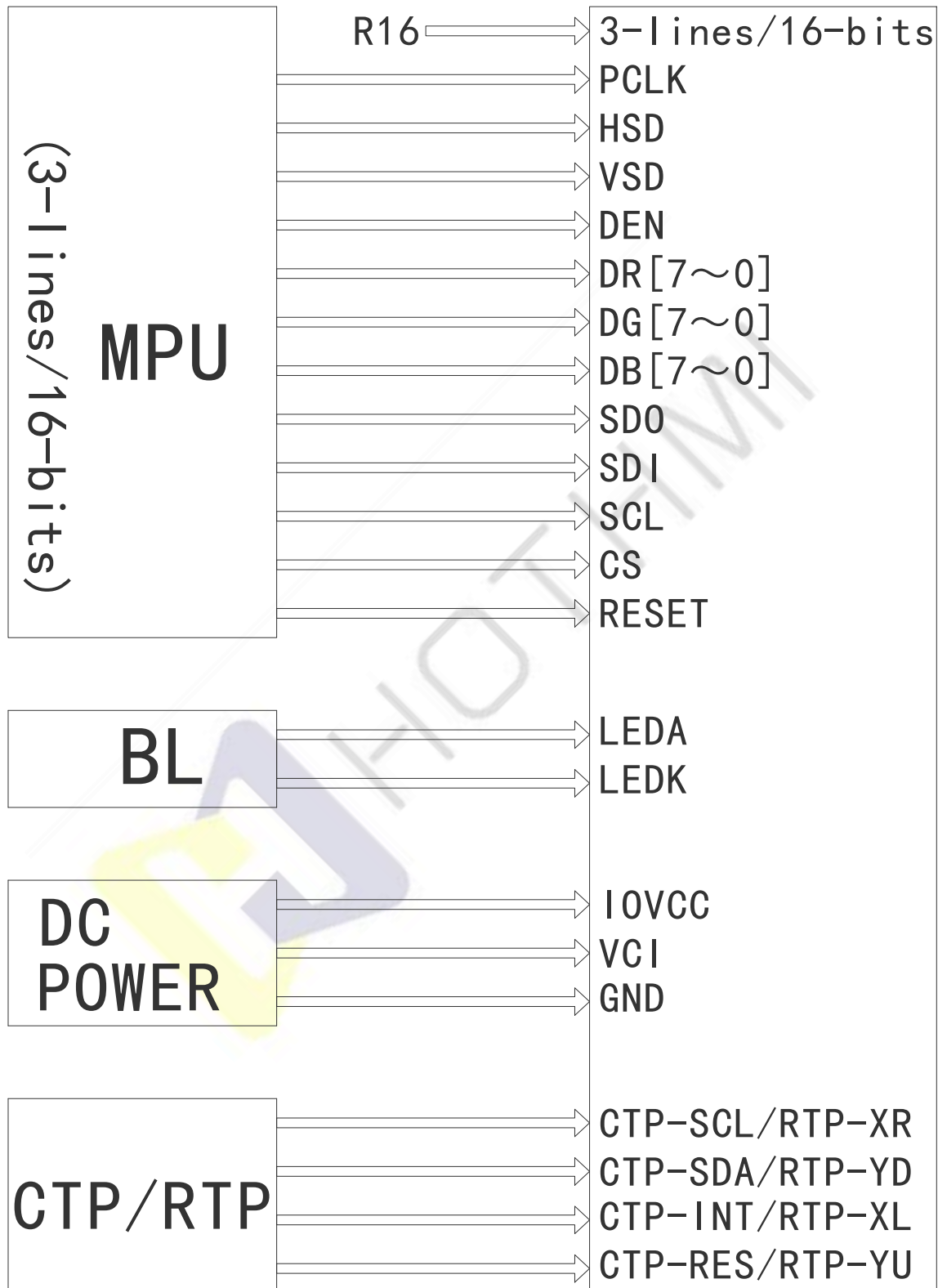
- - - END - - -

3.2. 接线说明 Wiring instructions

(默认/Default)







## 四、电气特性 Electrical Characteristics

### 4.1. TFT 模组工作条件 TFT LCD Module Operating Conditions

项目 Item	标号 Symbol	条件 Condition	最小值 Min	典型值 Type	最大值 Max	单位 Unit
数字电源 Digital Power	VCI	-	2.6	2.8	3.3	V
I/O 电源 I/O Power	IOVCC	-	1.7	1.8	3.3	V
TFT 栅极导通电压 TFT Gate on voltage	VGH	-	-	-	-	V
TFT 栅极关断电压 TFT Gate off voltage	VGL	-	-	-	-	V
TFT 共模电压 TFT Common Voltage	VCOM	-	-	-	-	V

### 4.2. 背光工作条件 LED back light specification

项目 Item	标号 Symbol	条件 Condition	最小值 Min	典型值 Type	最大值 Max	单位 Unit
工作电压 Forward voltage	VF	If=20mA /1-chip	14.0	15.5	17.0	V
工作电流 Forward current	IF		-	40	-	mA
亮度 (带 LCD) Luminance (With LCD)	Lv	If=40mA	-	-	-	cd/m <sup>2</sup>
LED 寿命 LED life time	Hr	Ta=25±3 °C	50,000	-	-	Hour

#### 注释 Note:

1. LED 寿命 (Hr) 定义为在 Ta=25±3 °C, 上表所示的典型电压电流值条件下持续工作直至亮度低于 50% 的时间。LED life time (Hr) can be defined as the time in which it continues to operate under the condition: Ta=25±3 °C, typical IL value indicated in the above table until the brightness becomes less than 50%.

### 4.3. 电容触摸屏推荐工作条件 CTP Recommended Operating Conditions

项目 Item	标号 Symbol	条件 Condition	最小值 Min	典型值 Type	最大值 Max	单位 Unit
数字电源 Digital Power	VDD	-	2.8	-	3.3	V
I/O 电源 I/O Power	IOVDD	-	2.8	-	3.3	V
工作温度 Operation Temperature	T <sub>OP</sub>	≤90%RH	-10	-	50	°C
储存温度 Storage Temperature	T <sub>ST</sub>	≤90%RH	-20	-	60	°C

## 五、液晶光学规格 TFT OPTICAL SPECIFICATION

### 5.1 概述 Overview

光学规格的测试应在暗室（环境亮度 1lux，温度=25 ±2℃）中使用亮度计系统（测角仪系统和TOPCON BM-5）设备进行测量，测试单元应位于大约在  $\theta$  和  $\Phi$  等于 0 的视角下，距 LCD 表面 50cm 的距离。显示面上测量点的中心应保持固定。测量前背光应工作 30 分钟。

The test of Optical specifications shall be measured in a dark room (ambient luminance 1lux and temperature = 25 ±2℃) with the equipment of Luminance meter system (Goniometer system and TOPCON BM-5) and test unit shall be located at an approximate distance 50cm from the LCD surface at a viewing angle of  $\theta$  and  $\Phi$  equal to 0. The center of the measuring spot on the Display surface shall stay fixed. The backlight should be operating for 30 minutes prior to measurement.

### 5.2 光学规格 Optical Specifications

参数 Parameter		标号 Symbol	条件 Condition	最小值 Min.	典型值 Typ.	最大值 Max.	单位 Unit	备注 Remark
视角范围 Viewing Angle Range	水平 Horizontal	⊙左/L	CR>10	-	80	-	Deg.	Note 1
		⊙右/R		-	80	-	Deg.	
	垂直 Vertical	⊙上/U		-	80	-	Deg.	
		⊙下/D		-	80	-	Deg.	
对比度 Contrast ratio		CR	⊙ = 0°	-	1500	-	-	Note2
色域 Color Gamut		CG	CIE1931	-	70	-	%	
白色色度 White Chromaticity		Wx	⊙ = 0°	-0.03	0.300	+0.03	-	Note4 (Based on C Light)
		Wy			0.331		-	
色彩还原 Reproduction of color	红 Red	Rx			0.660		-	
		Ry			0.317		-	
	绿 Green	Gx			0.264		-	
		Gy			0.563		-	
	蓝 Blue	Bx			0.137		-	
		By			0.084		-	
响应时间（上升 + 下降） Response Time (Rising + Falling)		Tr+Tf	⊙ = 0° Ta= 25℃	-	35	40	ms	Note5

注释 Note:

1. 视角是对比度大于10的角度。视角确定为相对于光轴的水平或3、9点钟方向和垂直或6、12点钟方向 垂直于 LCD 表面（见图 1）。

Viewing angle is the angle at which the contrast ratio is greater than 10. The viewing angles are determined for the horizontal or 3, 9 o' clock direction and the vertical or 6, 12 o' clock direction with respect to the optical axis which is normal to the LCD surface (see FIGURE 1).

2. 对比度测量应在  $\theta = 0$  的视角和 LCD 表面的中心进行。亮度测量时，视场中的所有像素首先设置为白色，然后设置为暗（黑色）状态。（参见图 1）亮度对比度（CR）是通过数学定义的。

Contrast measurements shall be made at viewing angle of  $\Theta = 0$  and at the center of the LCD surface. Luminance shall be measured with all pixels in the view field set first to white, then to the dark (black) state. (see FIGUR 1) Luminance Contrast Ratio (CR) is defined mathematically.

$$CR = \frac{\text{Luminance when displaying a white raster}}{\text{Luminance when displaying a black raster}}$$

3. 透射率是没有 APF 和没有 CG 的值。

Transmittance is the Value without APF and without CG.

4. 上表中规定的色度坐标应由所有像素首先测量的光谱数据计算为红色、绿色、蓝色和白色。测量应在面板的中心进行。

The color chromaticity coordinates specified in the above table shall be calculated from the spectral data measured with all pixels first in red, green, blue and white. Measurements shall be made at the center of the panel.

5. 电光响应时间测量应如图 2 所示，通过打开和关闭“数据”输入信号来进行。亮度从 10%变化到90%所需的时间是 $T_r$ ，90%到10%是 $T_f$ 。

The electro-optical response time measurements shall be made as FIGURE 2 by switching the “data” input signal ON and OFF. The times needed for the luminance to change from 10% to 90% is  $T_r$ , and 90% to 10% is  $T_f$ .

Figure1 Measurement Set Up

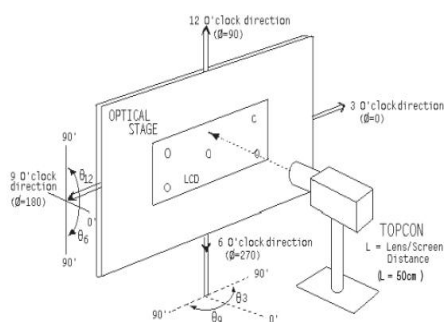


图 1

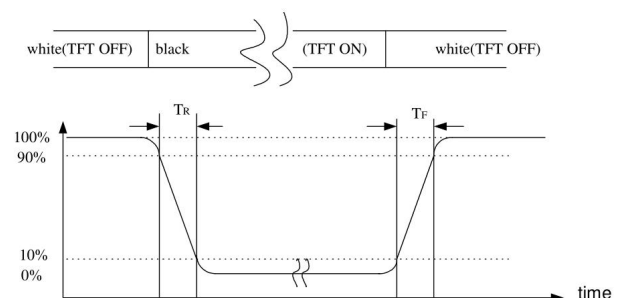
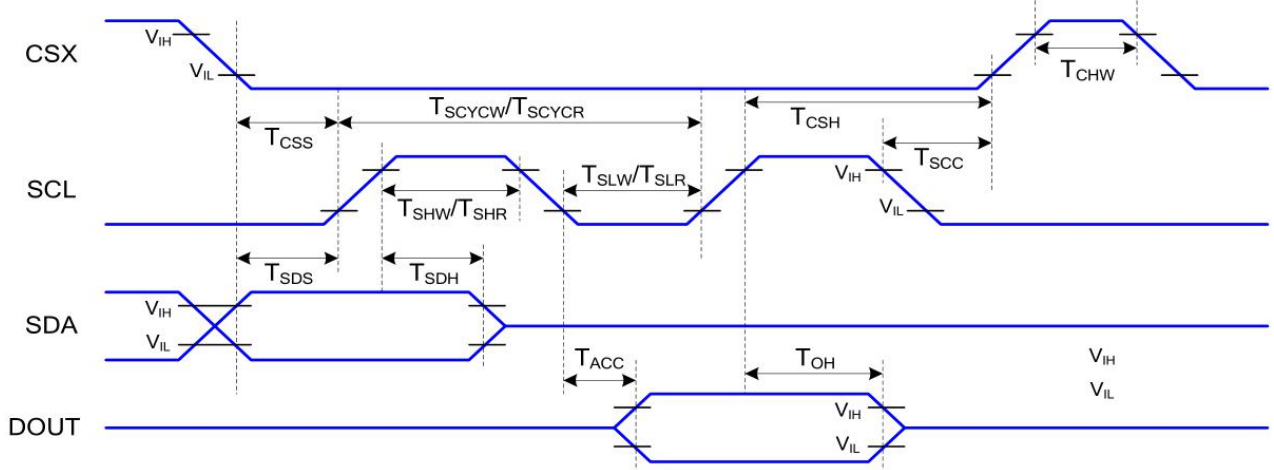


图 2

## 六、交流特性 / AC Characteristics

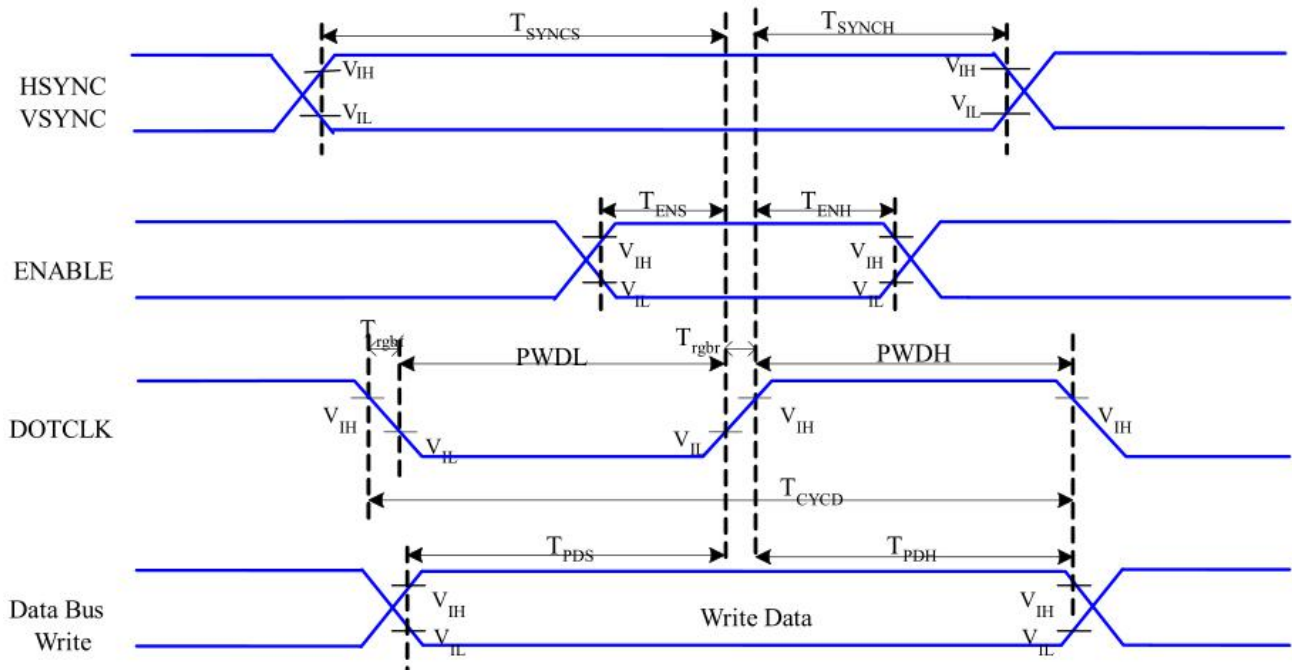
### 6.1. 串行接口特性 / Serial Interface Characteristics (IC SPEC P47)



$V_{DDI}=1.8, V_{DD}=2.8, AGND=DGND=0V, T_a=25^\circ C$

Signal	Symbol	Parameter	Min	Max	Unit	Description
CSX	$T_{CSS}$	Chip select setup time (write)	15		ns	
	$T_{CSH}$	Chip select hold time (write)	15		ns	
	$T_{CSS}$	Chip select setup time (read)	60		ns	
	$T_{SCC}$	Chip select hold time (read)	60		ns	
	$T_{CHW}$	Chip select "H" pulse width	40		ns	
SCL	$T_{SCYCW}$	Serial clock cycle (Write)	66		ns	
	$T_{SHW}$	SCL "H" pulse width (Write)	15		ns	
	$T_{SLW}$	SCL "L" pulse width (Write)	15		ns	
	$T_{SCYCR}$	Serial clock cycle (Read)	150		ns	
	$T_{SHR}$	SCL "H" pulse width (Read)	60		ns	
	$T_{SLR}$	SCL "L" pulse width (Read)	60		ns	
SDA (DIN)	$T_{SDS}$	Data setup time	10		ns	
	$T_{SDH}$	Data hold time	10		ns	

## 6.2. RGB 接口特性/RGB Interface Characteristics(IC SPEC P49)



VDDI=1.8, VDD=2.8, AGND=DGND=0V, Ta=25 °C

Signal	Symbol	Parameter	MIN	MAX	Unit	Description
HSYNC, VSYNC	$T_{SYNCS}$	VSYNC, HSYNC Setup Time	5	-	ns	
ENABLE	$T_{ENS}$	Enable Setup Time	5	-	ns	
	$T_{ENH}$	Enable Hold Time	5	-	ns	
DOTCLK	PWDH	DOTCLK High-level Pulse Width	15	-	ns	
	PWDL	DOTCLK Low-level Pulse Width	15	-	ns	
	$T_{CYCD}$	DOTCLK Cycle Time	33	-	ns	
	Trghr, Trghf	DOTCLK Rise/Fall time	-	15	ns	
DB	$T_{PDS}$	PD Data Setup Time	5	-	ns	
	$T_{PDH}$	PD Data Hold Time	5	-	ns	

## 6.3. RGB 颜色格式/RGB Color Format(IC SPEC P73)

24 bits configuration VIPF[3:0]=0111	18 bits configuration VIPF[3:0]=0110		16 bits configuration VIPF[3:0]=0101
	MDT=0	MDT=1	
R7	Not used	Not used	Not used
R6	Not used	Not used	Not used
R5	R5	Not used	Not used
R4	R4	Not used	R4
R3	R3	Not used	R3
R2	R2	Not used	R2
R1	R1	R5	R1
R0	R0	R4	R0
G7	Not used	R3	Not used
G6	Not used	R2	Not used
G5	G5	R1	G5
G4	G4	R0	G4
G3	G3	G5	G3
G2	G2	G4	G2
G1	G1	G3	G1
G0	G0	G2	G0
B7	Not used	G1	Not used
B6	Not used	G0	Not used
B5	B5	B5	Not used
B4	B4	B4	B4
B3	B3	B3	B3
B2	B2	B2	B2
B1	B1	B1	B1
B0	B0	B0	B0

注释: RGB 接口的 24 位并行数据总线, 将不使用的固定为 GND 电平

Note: 24-bit parallel data bus of RGB interface, fixed to GND level when not used.

## 七、可靠性测试 RELIABILITY TEST

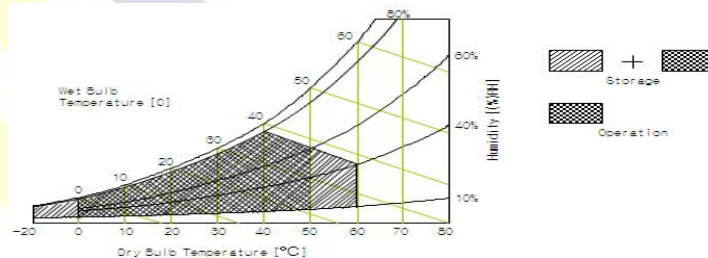
### 7-1 温度和湿度 Temperature and Humidity

测试项目 TEST ITEMS	条件 CONDITIONS	注释 NOTE
高温储存 High Temperature Storage	Ta=+80℃, 240hrs	
低温储存 Low Temperature Storage	Ta=-30℃, 240hrs	
高温运行试验 High Temperature Operation	Ta=+70℃, 240hrs	
低温运行试验 Low Temperature Operation	Ta=-20℃, 240hrs	
高温高湿（运行测试） High Temperature and High Humidity (Operating)	Ta=+60℃, 90%RH Max, 240hrs	

注释 Note:

1. 液晶驱动电压。由于液晶材料的特性，该电压随环境温度而变化。Liquid Crystal driving voltage. Due to the characteristics of LC Material, this voltage varies with environmental temperature.

2. 温度和相对湿度范围如下图所示。湿球温度最高应为39℃。并且没有冷凝水。Temperature and relative humidity range are shown in the figure below. Wet bulb temperature should be 39℃ max. and no condensation of water.



3. 产品经可靠性测试后，仅保证功能正常，无任何致命缺陷（不显示、线路缺陷、显示异常等）。After the reliability test, the product only guarantee function normally without any fatal defect (non-display, line defect, abnormal display etc).

4. 所有显示判断均在面板温度恢复到室温两小时后进行 All display judgments are performed two hours after the panel temperature returns to room temperature

5. Ta: 环境温度 Ambient temperature



### 7-2 冲击和振动 Shock and Vibration

测试项目 TEST ITEMS	条件 CONDITIONS
包装冲击(非操作) Packing Shock (Non-Operation)	<ul style="list-style-type: none"> <li>● Shock level:980m/s<sup>2</sup></li> <li>● Waveform:1/2 Sine wave,6msec</li> <li>● ±X, ±Y ±Z, each axis 1 times</li> </ul>
包装振动(非操作) Packing Vibration (Non-Operation)	<ul style="list-style-type: none"> <li>● Frequency range:8-33.3HZ</li> <li>● Stoke:1.0mm</li> <li>● Sweep: 10Hz-50Hz</li> <li>● x, y, z 2 hours for each direction</li> </ul>

### 7-3 静电放电测试 Electrostatic Discharge

测试项目 TEST ITEMS	条件 CONDITIONS
ESD (Non-operation)	150pF, 330 Ω, Contact ±2KV, Air : ±4KV. Note 1
	200pF, 0 Ω, ±200V Contact test. Note 2

测量点 Measure Point:

1. LCD玻璃和金属边框 LCD glass and metal bezel
2. 连接器引脚 IF connector pins

## 八、处理和注意事项 HANDDLING & CAUTIONS

### 8-1 操作注意事项 Caution For Operation

◆由于液晶模组是玻璃材质，请勿对其施加强烈的机械冲击或静载荷。请小心搬运，因为冲击、振动和粗心的搬运可能会严重影响产品。如果从高处坠落或受到强烈冲击，玻璃可能碎了。

Since the LCM is made of glass, do not apply strong mechanical impact or static load onto it. Handling with care since shock, vibration, and careless handling may seriously affect the product. If it falls from a high place or receives a strong shock, the glass maybe broken.

◆在规定的电压限制内驱动 LCM 是必不可少的，因为高于限制的电压会导致 LCM 的寿命缩短。由直流引起的电化学反应会导致 LCM 出现不良劣化，因此应避免使用直流驱动。

It is indispensable to drive the LCM within the specified voltage limit since the higher voltage than the limit causes LCM's life shorter. An electro-chemical reaction due to DC causes undesirable deterioration of the LCM so that the use of DC drive should avoid.

◆请勿在电源开启时将 LCM 连接到系统或从系统断开连接。

Do not connect or disconnect the LCM to or from the system when power is on.

◆切勿在高温高湿的异常条件下使用 LCM。

Never use the LCM under abnormal conditions of high temperature and high humidity.

◆当暴露于剧烈的温度波动（热到冷或冷到热）时，LCM可能会受到影响；具体来说，从冷到热的剧烈温度波动会在 LCM 表面产生露水，这可能会影响 LCM 上偏振片的运行。

When expose to drastic fluctuation of temperature(hot to cold or cold to hot), the LCM may be affected; specifically, drastic temperature fluctuation from cold to hot, produces dew on the LCM's surface which may affect the operation of the polarizer on the LCM.

◆在低于工作温度范围的温度下，响应时间将极度延迟，另一方面，在高于其工作范围的温度下，LCM 可能会变黑。然而，这些现象并不意味着 LCM 出现故障或故障。一旦温度恢复到正常运行的推荐温度范围，LCM 将恢复正常运行。

Response time will be extremely delay at lower temperature than the operating temperature range and on the other hand LCM may turn black at temperature above its operational range. However those phenomenon do not mean malfunction or out of order with the LCM. The LCM will revert to normal operation once the temperature returns to the recommended temperature range for normal operation.

◆为防止LCD产生图像残留，在使用常黑面板时不要长时间显示固定图案。如果LCD需要显示固定图案，建议时间少于 2 分钟或者更短的时间内刷新显示内容一次或多次。强烈建议使用黑色图像或移动图像作为屏幕保护程序。

In order to prevent the LCD from producing image retention, do not display a fixed pattern for a long time when using a normally black panel. If the LCD needs to display

a fixed pattern, it is recommended to refresh the display one or more times in less than 2 minutes or less. It is strongly recommended to use a black image or moving image as a screen saver.

## 8-2 防静电措施 Caution Against Static Charge

◆LCM 使用 C-MOS LSI 驱动器，因此建议客户将任何未使用的输入端连接到 Vdd 或 Vss，上电前不要输入任何信号，并将您的身体、工作/装配区、装配设备接地 防止静电。

The LCM use C-MOS LSI drivers, so customers are recommended that any unused input terminal would be connected to Vdd or Vss, do not input any signals before power is turn on, and ground you body, work/assembly area, assembly equipments to protect against static electricity.

◆缓慢去除保护膜，保持去除方向与面板表面不垂直约 30 度，如有可能，在离子风机等 ESD 控制装置下，工作室湿度应保持在 50%RH 以上，以减少静电风险

Remove the protective film slowly, keeping the removing direction approximate 30-degree not vertical from panel surface, if possible, under ESD control device like ion blower, and the humidity of working room should be kept over 50%RH to reduce the risk of static charge.

◆避免使用合成纤维制成的工作服。我们推荐棉质衣服或其他经过导电处理的纤维。

Avoid the use work clothing made of synthetic fibers. We recommend cotton clothing or other conductivity-treated fibers.

◆在处理 LCM 时，请戴上不带电材料的手套。对地导电手腕和对地导电鞋是必需的

In handling the LCM, wear non-charged material gloves. And the conducting wrist to the earth and the conducting shoes to the earth are necessary

## 九、初始化代码 LCD display initialization code

```
Void Panel_Initial_code(void)
{
//TFT分辨率: 480 x 800
//测试接口: RGB 24bit+SPI 3L 9bit
//测试板主控: C8051F340+SSD1963
//Power:VCI=2.8, IOVCC=1.8

//#define HT HPS+LPS+HPW //
//#define HPS 80 //HFP
//#define LPS 70 //HBP
//#define HPW 5 //

//#define VT 850 //VH
//#define VPS 25 //VFP
//#define FPS 10 //VBP
//#define VPW 10 //

//External system porch setting:125>VBP ≥10, VFP ≥10
//Line Time:19uS
//Frame Rate:60Hz

//=====上电复位操作=====//
LCD_RESET=1;
Delays(1); //Delay 1ms
LCD_RESET=0;
Delays(10); //Delay 10ms
LCD_RESET=1;
Delays(120); //Delay 120ms
//=====//
SPI_WriteComm(0xFF);
SPI_WriteData(0x77);
SPI_WriteData(0x01);
SPI_WriteData(0x00);
SPI_WriteData(0x00);
SPI_WriteData(0x13);

SPI_WriteComm(0xEF);
SPI_WriteData(0x08);
```

```
SPI_WriteComm(0xFF);  
SPI_WriteData(0x77);  
SPI_WriteData(0x01);  
SPI_WriteData(0x00);  
SPI_WriteData(0x00);  
SPI_WriteData(0x10);
```

```
SPI_WriteComm(0xC0);  
SPI_WriteData(0x63);  
SPI_WriteData(0x00);
```

```
SPI_WriteComm(0xC1);  
SPI_WriteData(0x0A);  
SPI_WriteData(0x0C);
```

```
SPI_WriteComm(0xC2);  
SPI_WriteData(0x31);  
SPI_WriteData(0x08);
```

```
SPI_WriteComm(0xCC);  
SPI_WriteData(0x18);
```

```
SPI_WriteComm(0xB0);  
SPI_WriteData(0x00);  
SPI_WriteData(0x08);  
SPI_WriteData(0x10);  
SPI_WriteData(0x0E);  
SPI_WriteData(0x11);  
SPI_WriteData(0x07);  
SPI_WriteData(0x08);  
SPI_WriteData(0x08);  
SPI_WriteData(0x08);  
SPI_WriteData(0x25);  
SPI_WriteData(0x04);  
SPI_WriteData(0x12);  
SPI_WriteData(0x0F);  
SPI_WriteData(0x2C);  
SPI_WriteData(0x30);  
SPI_WriteData(0x1F);
```

```
SPI_WriteComm(0xB1);  
SPI_WriteData(0x00);  
SPI_WriteData(0x11);  
SPI_WriteData(0x18);  
SPI_WriteData(0x0C);  
SPI_WriteData(0x10);  
SPI_WriteData(0x05);  
SPI_WriteData(0x07);  
SPI_WriteData(0x09);  
SPI_WriteData(0x08);  
SPI_WriteData(0x24);  
SPI_WriteData(0x04);  
SPI_WriteData(0x11);  
SPI_WriteData(0x10);  
SPI_WriteData(0x2B);  
SPI_WriteData(0x30);  
SPI_WriteData(0x1F);
```

```
SPI_WriteComm(0xFF);  
SPI_WriteData(0x77);  
SPI_WriteData(0x01);  
SPI_WriteData(0x00);  
SPI_WriteData(0x00);  
SPI_WriteData(0x11);
```

```
SPI_WriteComm(0xB0);  
SPI_WriteData(0x4D);
```

```
SPI_WriteComm(0xB1);  
SPI_WriteData(0x39);
```

```
SPI_WriteComm(0xB2);  
SPI_WriteData(0x87);
```

```
SPI_WriteComm(0xB3);  
SPI_WriteData(0x80);
```

```
SPI_WriteComm(0xB5);  
SPI_WriteData(0x47);
```

SPI\_WriteComm(0xB7);  
SPI\_WriteData(0x8A);

SPI\_WriteComm(0xB8);  
SPI\_WriteData(0x20);

SPI\_WriteComm(0xB9);  
SPI\_WriteData(0x10);  
SPI\_WriteData(0x13);

SPI\_WriteComm(0xC0);  
SPI\_WriteData(0x09);

SPI\_WriteComm(0xC1);  
SPI\_WriteData(0x78);

SPI\_WriteComm(0xC2);  
SPI\_WriteData(0x78);

SPI\_WriteComm(0xD0);  
SPI\_WriteData(0x88);  
Delays (120);  
SPI\_WriteComm(0xE0);  
SPI\_WriteData(0x00);  
SPI\_WriteData(0x00);  
SPI\_WriteData(0x02);

SPI\_WriteComm(0xE1);  
SPI\_WriteData(0x04);  
SPI\_WriteData(0x00);  
SPI\_WriteData(0x00);  
SPI\_WriteData(0x00);  
SPI\_WriteData(0x05);  
SPI\_WriteData(0x00);  
SPI\_WriteData(0x00);  
SPI\_WriteData(0x00);  
SPI\_WriteData(0x00);  
SPI\_WriteData(0x00);  
SPI\_WriteData(0x20);  
SPI\_WriteData(0x20);

```
SPI_WriteComm(0xE2);  
SPI_WriteData(0x00);  
SPI_WriteData(0x00);  
SPI_WriteData(0x00);  
SPI_WriteData(0x00);  
SPI_WriteData(0x00);  
SPI_WriteData(0x00);  
SPI_WriteData(0x00);  
SPI_WriteData(0x00);  
SPI_WriteData(0x00);  
SPI_WriteData(0x00);  
SPI_WriteData(0x00);  
SPI_WriteData(0x00);  
SPI_WriteData(0x00);  
SPI_WriteData(0x00);
```

```
SPI_WriteComm(0xE3);  
SPI_WriteData(0x00);  
SPI_WriteData(0x00);  
SPI_WriteData(0x33);  
SPI_WriteData(0x00);
```

```
SPI_WriteComm(0xE4);  
SPI_WriteData(0x22);  
SPI_WriteData(0x00);
```

```
SPI_WriteComm(0xE5);  
SPI_WriteData(0x04);  
SPI_WriteData(0x34);  
SPI_WriteData(0xAA);  
SPI_WriteData(0xAA);  
SPI_WriteData(0x06);  
SPI_WriteData(0x34);  
SPI_WriteData(0xAA);  
SPI_WriteData(0xAA);  
SPI_WriteData(0x00);  
SPI_WriteData(0x00);  
SPI_WriteData(0x00);  
SPI_WriteData(0x00);  
SPI_WriteData(0x00);  
SPI_WriteData(0x00);
```



SPI\_WriteData(0x00);  
SPI\_WriteData(0x00);  
SPI\_WriteData(0x00);

SPI\_WriteComm(0xE6);  
SPI\_WriteData(0x00);  
SPI\_WriteData(0x00);  
SPI\_WriteData(0x33);  
SPI\_WriteData(0x00);

SPI\_WriteComm(0xE7);  
SPI\_WriteData(0x22);  
SPI\_WriteData(0x00);

SPI\_WriteComm(0xE8);  
SPI\_WriteData(0x05);  
SPI\_WriteData(0x34);  
SPI\_WriteData(0xAA);  
SPI\_WriteData(0xAA);  
SPI\_WriteData(0x07);  
SPI\_WriteData(0x34);  
SPI\_WriteData(0xAA);  
SPI\_WriteData(0xAA);  
SPI\_WriteData(0x00);  
SPI\_WriteData(0x00);  
SPI\_WriteData(0x00);  
SPI\_WriteData(0x00);  
SPI\_WriteData(0x00);  
SPI\_WriteData(0x00);  
SPI\_WriteData(0x00);  
SPI\_WriteData(0x00);

SPI\_WriteComm(0xEB);  
SPI\_WriteData(0x02);  
SPI\_WriteData(0x00);  
SPI\_WriteData(0x40);  
SPI\_WriteData(0x40);  
SPI\_WriteData(0x00);  
SPI\_WriteData(0x00);  
SPI\_WriteData(0x00);

```
SPI_WriteComm(0xEC);  
SPI_WriteData(0x00);  
SPI_WriteData(0x00);
```

```
SPI_WriteComm(0xED);  
SPI_WriteData(0xFA);  
SPI_WriteData(0x45);  
SPI_WriteData(0x0B);  
SPI_WriteData(0xFF);  
SPI_WriteData(0xFF);  
SPI_WriteData(0xFF);  
SPI_WriteData(0xFF);  
SPI_WriteData(0xFF);  
SPI_WriteData(0xFF);  
SPI_WriteData(0xFF);  
SPI_WriteData(0xFF);  
SPI_WriteData(0xFF);  
SPI_WriteData(0xFF);  
SPI_WriteData(0xFF);  
SPI_WriteData(0xFF);  
SPI_WriteData(0xB0);  
SPI_WriteData(0x54);  
SPI_WriteData(0xAF);
```

```
SPI_WriteComm(0xEF);  
SPI_WriteData(0x10);  
SPI_WriteData(0x0D);  
SPI_WriteData(0x04);  
SPI_WriteData(0x08);  
SPI_WriteData(0x3F);  
SPI_WriteData(0x1F);
```

```
SPI_WriteComm(0xFF);  
SPI_WriteData(0x77);  
SPI_WriteData(0x01);  
SPI_WriteData(0x00);  
SPI_WriteData(0x00);  
SPI_WriteData(0x13);
```

```
SPI_WriteComm(0xE8);  
SPI_WriteData(0x00);
```

```
SPI_WriteData(0x0E);
```

```
SPI_WriteComm(0xFF);  
SPI_WriteData(0x77);  
SPI_WriteData(0x01);  
SPI_WriteData(0x00);  
SPI_WriteData(0x00);  
SPI_WriteData(0x00);
```

```
SPI_WriteComm(0x11);  
Delays (120);  
SPI_WriteComm(0xFF);  
SPI_WriteData(0x77);  
SPI_WriteData(0x01);  
SPI_WriteData(0x00);  
SPI_WriteData(0x00);  
SPI_WriteData(0x13);
```

```
SPI_WriteComm(0xE8);  
SPI_WriteData(0x00);  
SPI_WriteData(0x0C);  
Delays (50);  
SPI_WriteComm(0xE8);  
SPI_WriteData(0x00);  
SPI_WriteData(0x00);
```

```
SPI_WriteComm(0xFF);  
SPI_WriteData(0x77);  
SPI_WriteData(0x01);  
SPI_WriteData(0x00);  
SPI_WriteData(0x00);  
SPI_WriteData(0x00);
```

```
//SPI_WriteComm(0x3A);SPI_WriteData(0x77); //55=16bit (RGB565);66=18bit (RGB666);77或  
默认不写3AH是=24bit (RGB888)
```

```
SPI_WriteComm(0x29);  
Delays (120);  
}
```

```
Void Panel_SleepIn_Mode (void)
{
SPI_WriteComm(0x28);
Delays (120);
SPI_WriteComm(0x10);
Delays (120);
}
Void Panel_SleepOut_Mode (void)
{
SPI_WriteComm(0x11);
Delays (120);
SPI_WriteComm(0x29);
Delays (120);
}
```

--END--